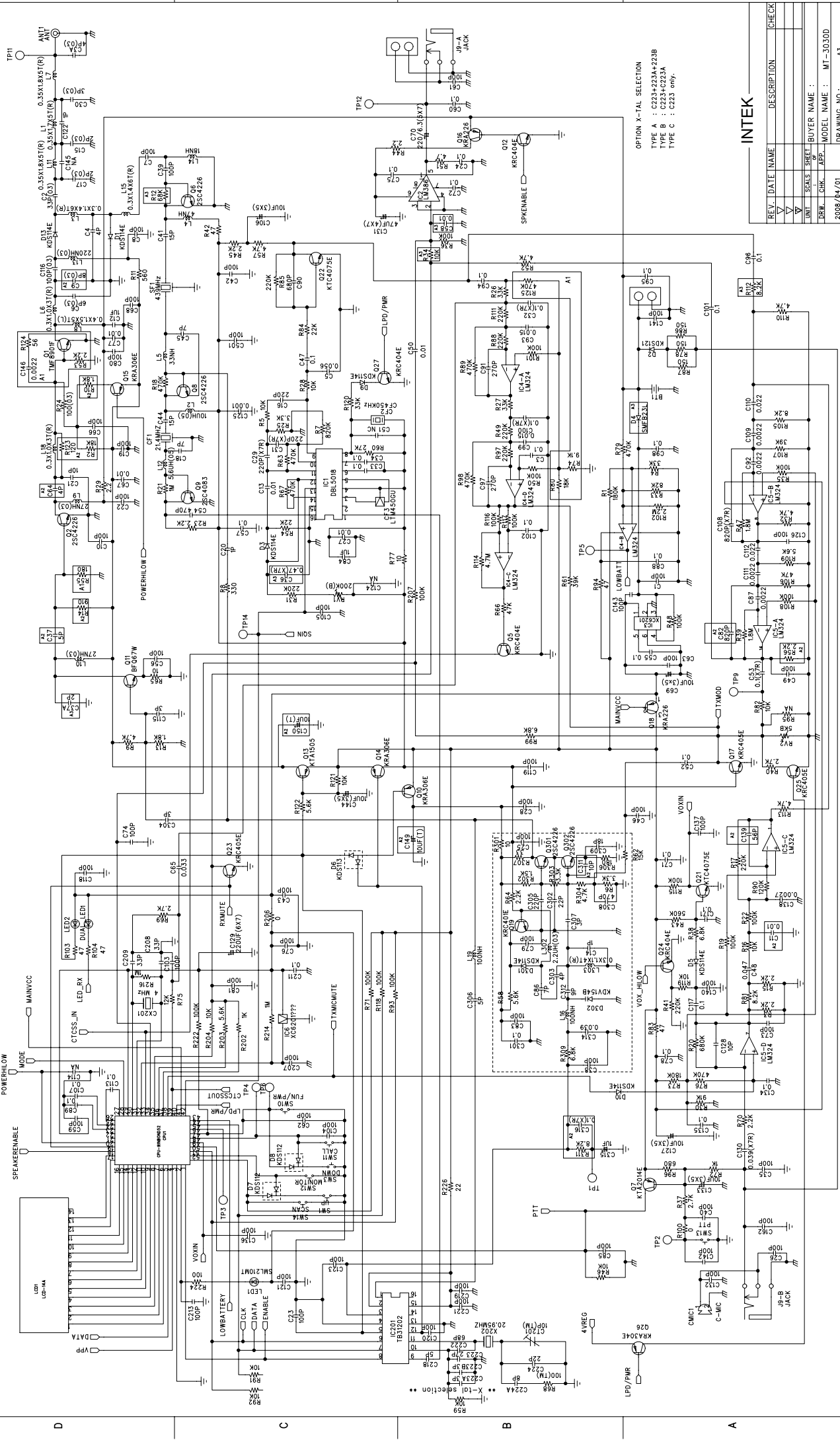


SCHEMATIC DIAGRAM



OPTION X-TAL SELECTION
 TYPE A : C224+223A+23B
 TYPE B : C223+C223A
 TYPE C : C223 only.

INTEK

REV.	DATE	NAME	DESCRIPTION	CHECK
1				
2				
3				
4				
5				
6				

UNIT : SHEET : BUYER NAME :
 DRAW. CHK. APP. MODEL NAME : MT-3030D
 2009/04/01 A3
 DRAWING NO. :