

REV:	DATE:	BY:	DATE:
REV:	DATE:	BY:	DATE:
REV:	DATE:	BY:	DATE:
REV:	DATE:	BY:	DATE:

DATE:	DATE:	DATE:	DATE:
DATE:	DATE:	DATE:	DATE:
DATE:	DATE:	DATE:	DATE:
DATE:	DATE:	DATE:	DATE:

DATE:	DATE:	DATE:	DATE:
DATE:	DATE:	DATE:	DATE:
DATE:	DATE:	DATE:	DATE:
DATE:	DATE:	DATE:	DATE:

DATE:	DATE:	DATE:	DATE:
DATE:	DATE:	DATE:	DATE:
DATE:	DATE:	DATE:	DATE:
DATE:	DATE:	DATE:	DATE:

DATE:	DATE:	DATE:	DATE:
DATE:	DATE:	DATE:	DATE:
DATE:	DATE:	DATE:	DATE:
DATE:	DATE:	DATE:	DATE:

DATE:	DATE:	DATE:	DATE:
DATE:	DATE:	DATE:	DATE:
DATE:	DATE:	DATE:	DATE:
DATE:	DATE:	DATE:	DATE:

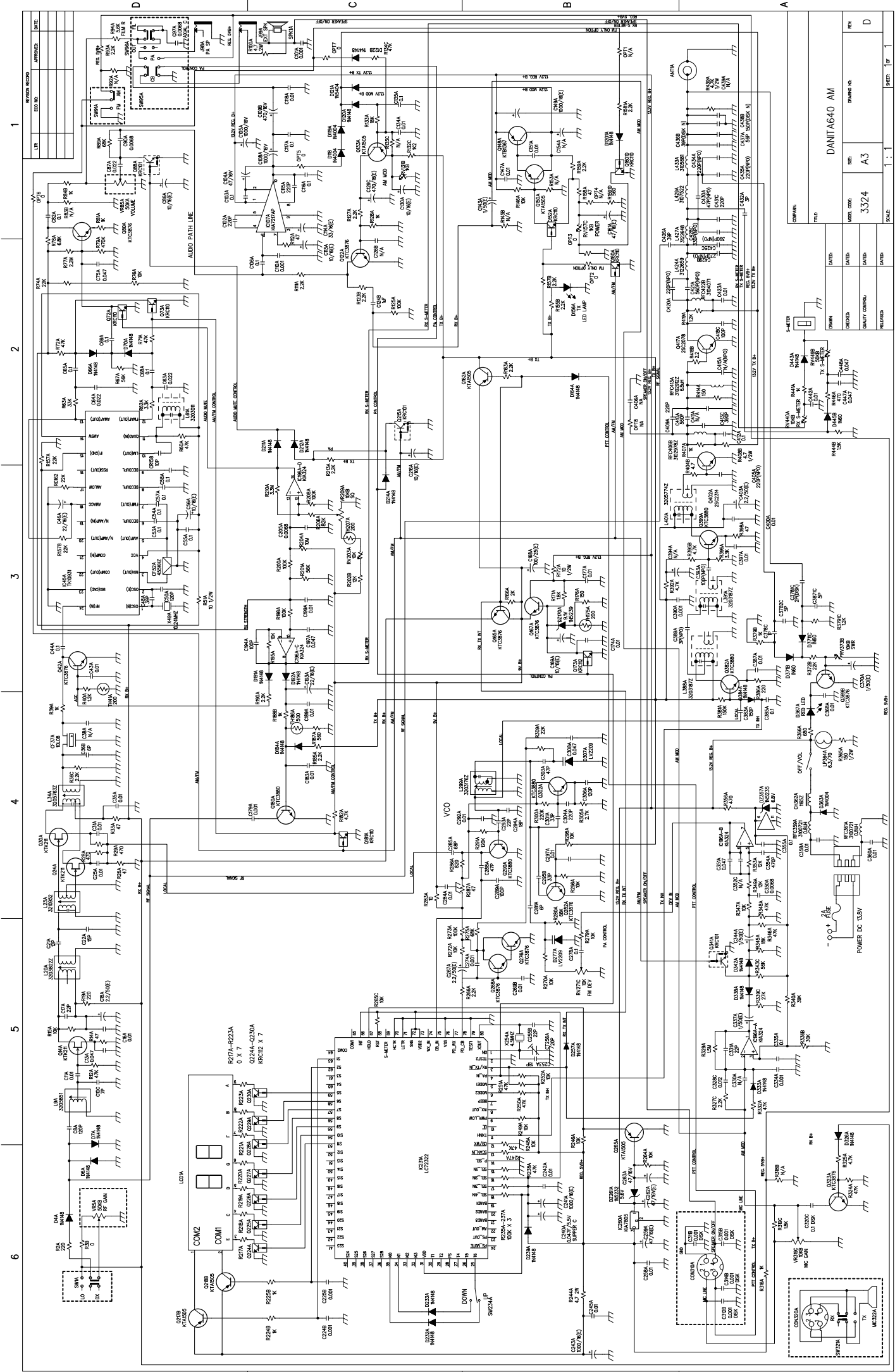
DATE:	DATE:	DATE:	DATE:
DATE:	DATE:	DATE:	DATE:
DATE:	DATE:	DATE:	DATE:
DATE:	DATE:	DATE:	DATE:

DATE:	DATE:	DATE:	DATE:
DATE:	DATE:	DATE:	DATE:
DATE:	DATE:	DATE:	DATE:
DATE:	DATE:	DATE:	DATE:

DATE:	DATE:	DATE:	DATE:
DATE:	DATE:	DATE:	DATE:
DATE:	DATE:	DATE:	DATE:
DATE:	DATE:	DATE:	DATE:

DATE:	DATE:	DATE:	DATE:
DATE:	DATE:	DATE:	DATE:
DATE:	DATE:	DATE:	DATE:
DATE:	DATE:	DATE:	DATE:

DANTAG40 FM  
 3339 A.3  
 SCALE 1:1  
 SHEET 1 OF 1



REV. NO.	DATE	DESCRIPTION
1		INITIAL DESIGN
2		REVISED
3		REVISED
4		REVISED
5		REVISED
6		REVISED

DATE	DATE	DATE	DATE

DATE	DATE	DATE	DATE

DATE	DATE	DATE	DATE

DATE	DATE	DATE	DATE

DATE	DATE	DATE	DATE

DANTAG40 AM

SCALE 1 : 1

3324 A.3

3.324

3.324

3.324

3.324

3.324

3.324

3.324

3.324

3.324

3.324

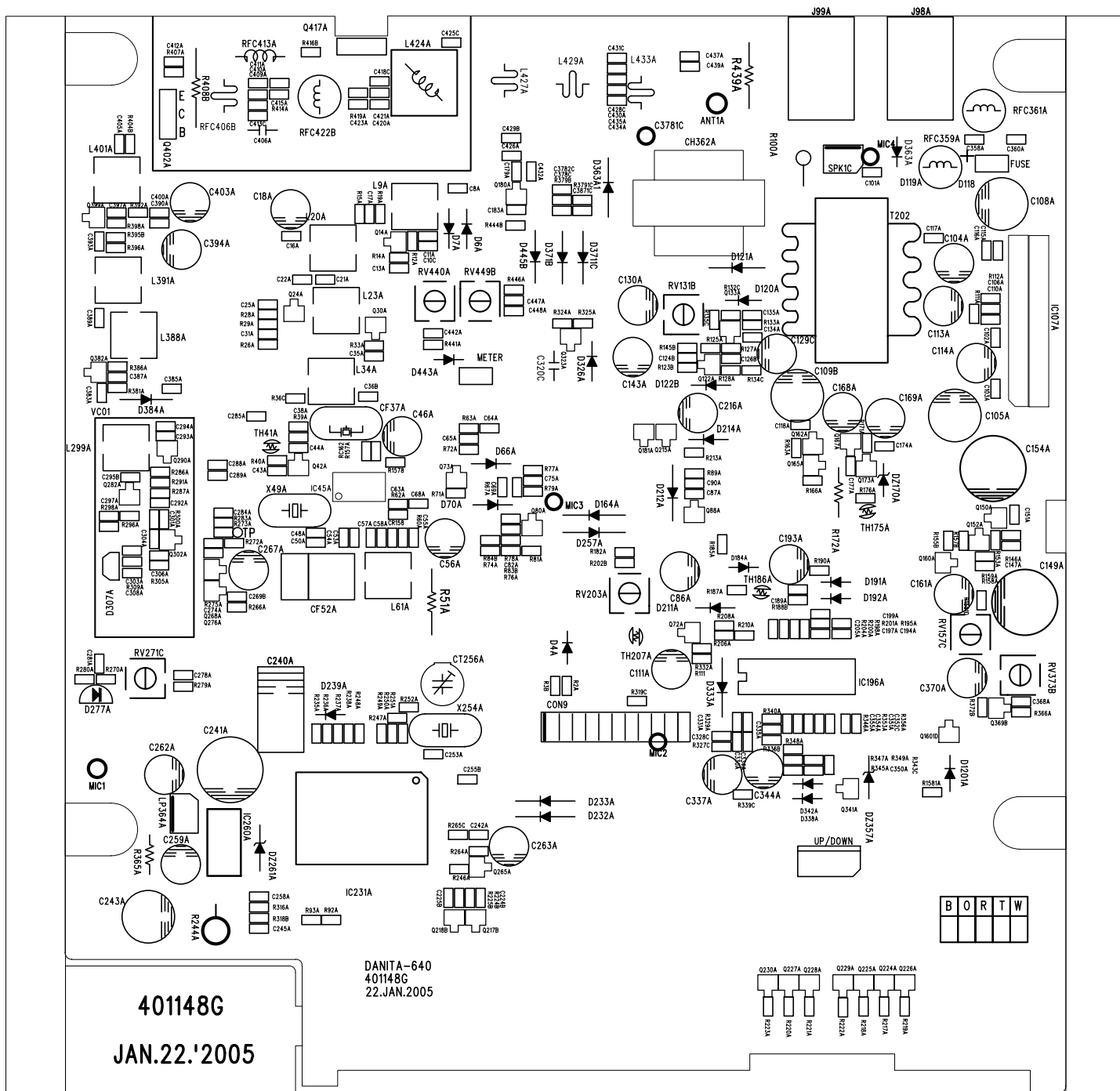
3.324

3.324

3.324

3.324

3.324



MODEL : DANITA-640  
 PART NO. : 401148G  
 MATERIAL : FR-4 1/1  
 SIZE : 170 X 163.5 X 1.6T  
 DATE : 2005.JAN.22

TOP SCREEN